

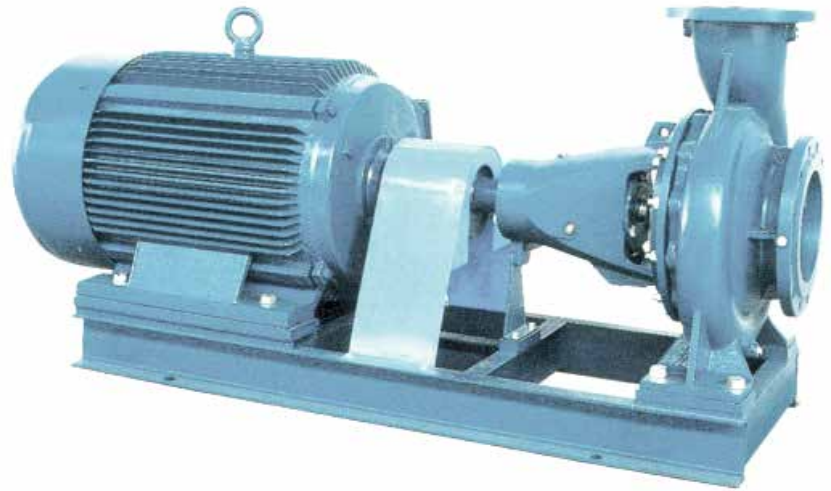
**TERAL**

**SB 2-Pole SB4 4-Pole**  
**End-Suction Centrifugal Pumps**

**50 Hz**



*Since 1918 in Japan*



## ■ Applications

- General water supply in dwelling houses, city buildings, etc.
- Circulation of cold or hot water.
- Industrial use.
- Water system.
- Fire fighting and sprinkler.

## ■ Features

### ● BACK-PULL-OUT

This back-pull-out construction ensures easy disassembling without removing suction and discharge pipes.

### ● QUIET

This model permits the long-lived operation without any noise and vibration.

### ● STABILITY

This is an upright discharge type. It is very strong against the weight of discharge pipes. Besides, any air is not accumulated in the upper part of casing.

### ● NON-OVERLOAD

As this model is furnished with limit-load property, it is not overload for any discharge capacity.

### ● CONFORMABLE TO

The SB4/SB pumps are fully complied to the international standard ISO2858 (DIN24255).

## ■ Specifications

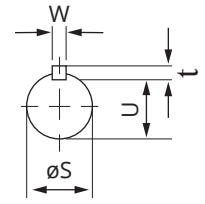
- **Liquid** : Fresh Water
- **Re. NPSH** : See the Characteristic curve.
- **Operation Temp.** : -10°C to 80°C  
(Option: up to 105°C)
- **Revolution** : 1500 r.p.m. (SB4)  
: 3000 r.p.m. (SB)
- **Max suc. Press** :  $10.2\text{kgf/cm}^2 - \frac{\text{shut off head}}{10}$
- **Operation Press.** : Max. 10.2kgf/cm<sup>2</sup>

### • Structure

- Impeller** : Closed
- Sealing** : Gland packing  
(Mechanical seal at option)
- Bearing** : Ball bearing

### • Material

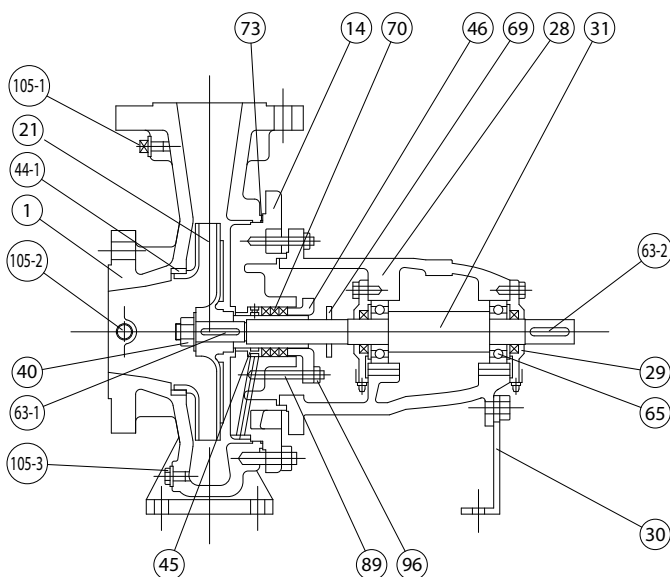
- Casing** : Cast iron (FC200)
- Impeller** : Bronze (BC6)
- Shaft** : Stainless Steel (SUS 420J1)
- Sealing** : Aramid Fiber



## Design Detail

Model		Shaft dimensions at coupling (mm)			Bearing		Gland packing Size - Nos.
4 Pole	2 Pole	Diameter S	U	Key size W x t	Coupling side	Impeller side	
SB4-50X32L, M, H, K	SB-50X32L, M, H, K	ø 24	20	8 X 7	6305	6305	ø32 X ø48 X 8~ 3
SB4-65X40L, M, H, K	SB-65X40L, M, H, K	ø 24	20	8 X 7	6305	6305	ø32 X ø48 X 8~ 3
SB4-65X40J		ø 32	27	10 X 8	6307	6307	ø40 X ø60 X 10~ 4
SB4-65X50L, M, H, K	SB-65X50L, M, H, K	ø 24	20	8 X 7	6305	6305	ø32 X ø48 X 8~ 3
SB4-65X50J		ø 32	27	10 X 8	6307	6307	ø40 X ø60 X 10~ 4
SB4-80X65L, M, H	SB-80X65L, M, H	ø 24	20	8 X 7	6305	6305	ø32 X ø48 X 8~ 3
SB4-80X65K	SB-80X65K	ø 32	27	10 X 8	6307	6307	ø40 X ø60 X 10~ 3
SB4-80X65J		ø 32	27	10 X 8	6307	6307	ø40 X ø60 X 10~ 4
SB4-100X80M	SB-100X80M	ø 24	20	8 X 7	6305	6305	ø32 X ø48 X 8~ 3
SB4-100X80H, K	SB-100X80H, K	ø 32	27	10 X 8	6307	6307	ø40 X ø60 X 10~ 3
SB4-100X80J		ø 32	27	10 X 8	6307	6307	ø40 X ø60 X 10~ 4
SB4-100X80G		ø 42	37	12 X 10	6309	6309	ø55 X ø75 X 10~ 4
SB4-125X100M	SB-125X100M	ø 32	27	10X8	6307	6307	ø40 X ø60 X 10~3
SB4-125X100M, H, K	SB-125X100M, H, K	ø 32	27	10 X 8	6307	6307	ø40 X ø60 X 10~ 3
SB4-125X100J		ø 32	27	10 X 8	6307	6307	ø40 X ø60 X 10~ 4
SB4-125X100G		ø 42	37	12 X 10	6309	6309	ø55 X ø75 X 10~ 4
SB4-150X125H, K		ø 32	27	10 X 8	6307	6307	ø40 X ø60 X 10~ 3
SB4-150X125J, G		ø 42	37	12 X 10	6309	6309	ø55 X ø75 X 10~ 4
SB4-200X150H		ø 32	27	10 X 8	6307	6307	ø40 X ø60 X 10~ 3
SB4-200X150K, J, G		ø 42	37	12 X 10	6309	6309	ø55 X ø75 X 10~ 4
SB4-250X200K		ø 42	37	12 X 8	6309	6309	ø55 X ø75 X 10~4
SB4-250X200J, G		ø 48	42	14 X 9	6311	6311	ø65 X ø90 X12.5~5
SB4-300X250 J, G		ø 48	42	14 X 9	6311	6311	ø65 X ø90 X12.5~5

## Sectional View

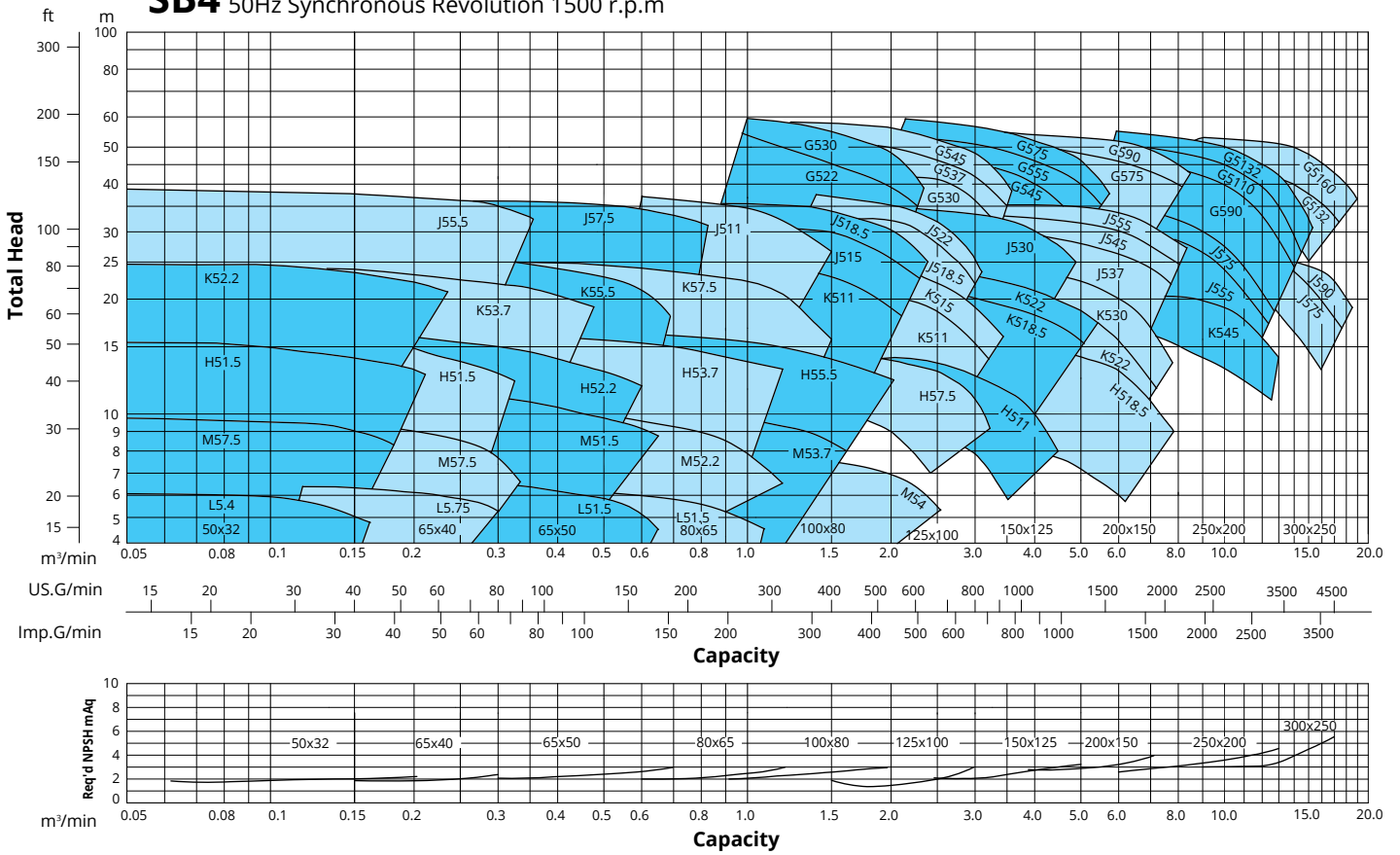


Part No.	Part Name	Material	No./ Unit
1	Casing	Cast Iron	1
14	Casing Cover	Cast Iron	1
21	Impeller	Bronze	1
28	Bearing Casing	Cast Iron	1
29	Bearing Cover	Cast Iron	1
30	Supporter	Steel	1
31	Shaft	Stainless Steel	1
40	Impeller Nut	Bronze	1
44-1	Wearing Ring	Bronze	1
*44-2	Wearing Ring	Bronze	1
45	Lantern Ring	Bronze	1
46	Gland	Cast Iron	1
63-1	Key	Stainless Steel	1
63-2	Key	Steel	1
65	Bearing		2
69	Deflector	Chloroprene Rubber	1
70	Gland Packing	Aramid Fiber	3 (4)
73	O Ring	Nitrile Butadiene Rubber	1
89	Stud Bolt	Steel	2
96	Hex-Nut	Steel	2
105-1	Plug	Steel	1
105-2	Plug	Steel	1
105-3	Plug	Steel	1
	Priming Water Plug	Steel	1

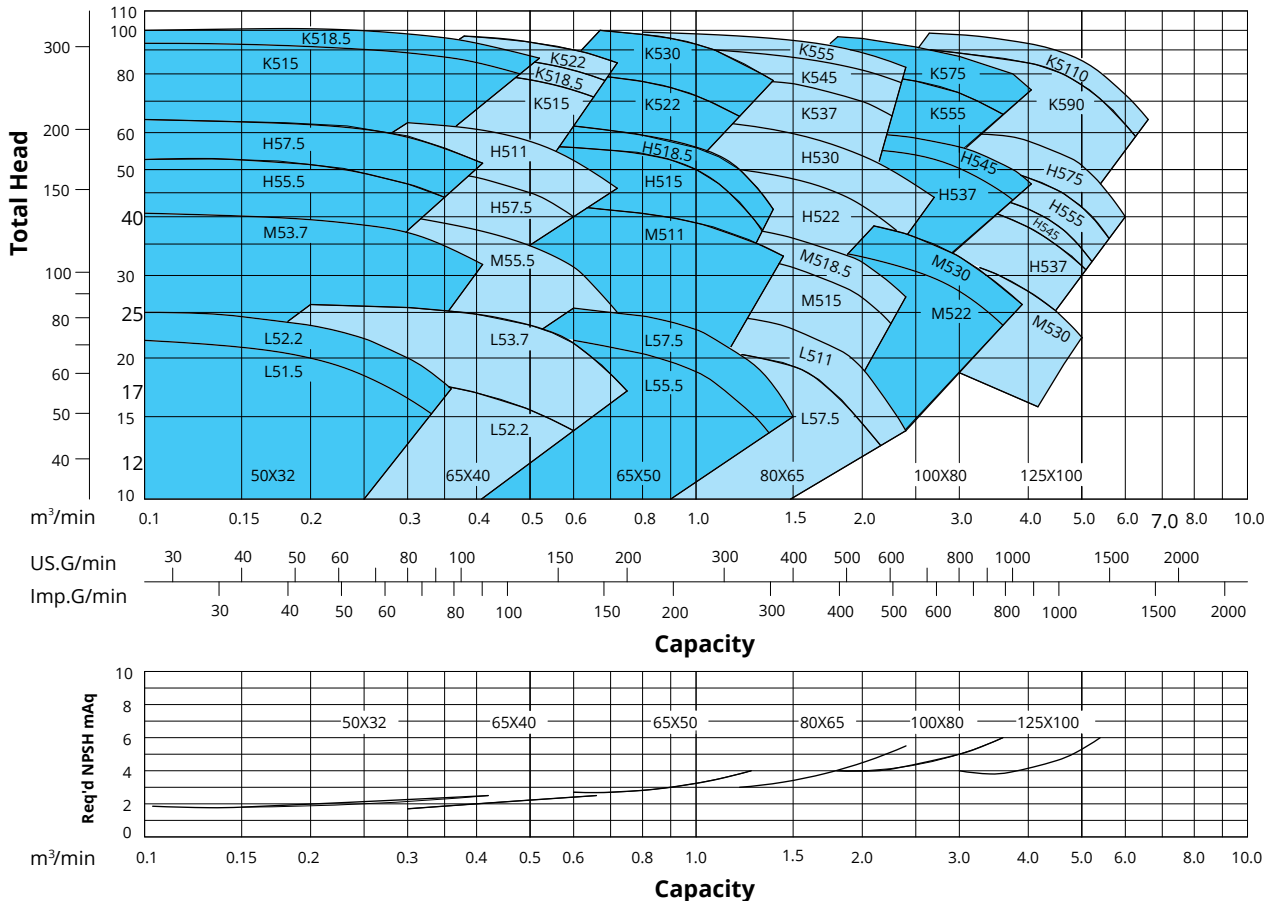
\*Certain models have a wearing ring for casing cover.

## Selection Charts

### SB4 50Hz Synchronous Revolution 1500 r.p.m

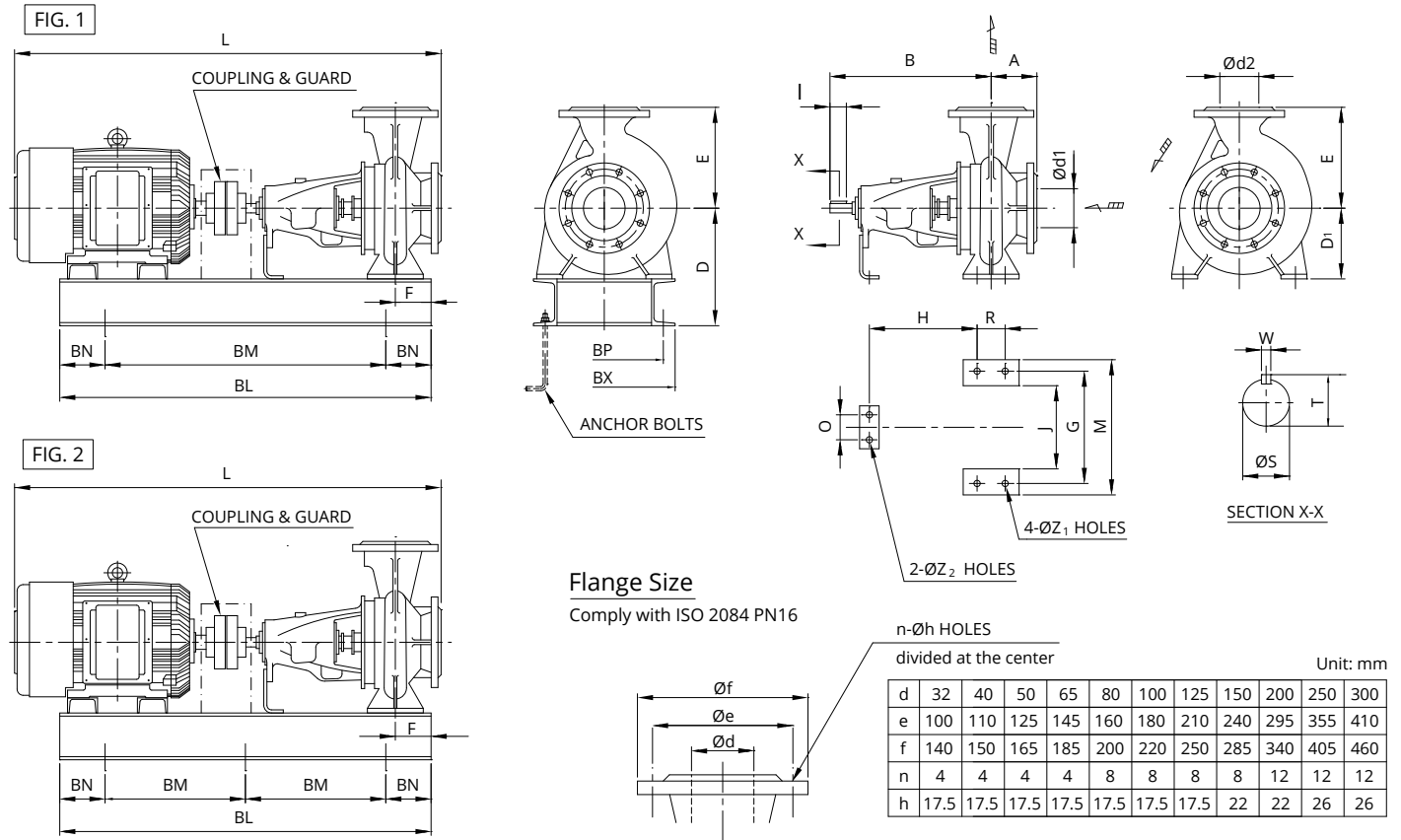


### SB 50Hz Synchronous Revolution 3000 r.p.m.





## Dimensions



## SB Dimension Table

Unit: mm

Model	Fig	kw	d <sub>1</sub>	d <sub>2</sub>	A	B	D	D <sub>1</sub>	E	F	G	H	J	L	I	M	O	R	S	T	W	Z <sub>1</sub>	Z <sub>2</sub>	BL	BM	BN	BP	BX	kg
SB-50X32L51.5	1	1.5	50	32	80	360	212	112	140	50	140	232	90	765	50	190	100	70	24	27	8	14	14	750	450	150	140	190	73
SB-50X32L52.2	1	2.2	50	32	80	360	212	112	140	50	140	232	90	765	50	190	100	70	24	27	8	14	14	750	450	150	140	190	75
SB-50X32M53.7	1	3.7	50	32	80	360	238	132	160	50	190	232	140	825	50	240	100	70	24	27	8	14	14	800	500	150	190	240	104
SB-50X32H55.5	1	5.5	50	32	80	360	272	132	160	50	190	232	140	889	50	240	100	70	24	27	8	14	14	800	500	150	220	270	127
SB-50X32H57.5	1	7.5	50	32	80	360	300	160	180	50	190	232	140	889	50	240	110	70	24	27	8	14	14	800	500	150	210	260	137
SB-50X32K515	1	15	50	32	100	360	320	180	225	62.5	250	219.5	190	1067	50	320	110	95	24	27	8	14	14	950	650	150	300	350	219
SB-50X32K518.5	1	18.5	50	32	100	360	320	180	225	62.5	250	219.5	190	1111	50	320	110	95	24	27	8	14	14	1000	700	150	300	350	236
SB-65X40L52.2	1	2.2	65	40	80	360	212	112	140	50	160	232	110	765	50	210	100	70	24	27	8	14	14	750	450	150	160	210	78
SB-65X40L53.7	1	3.7	65	40	80	360	252	112	140	50	160	232	110	825	50	210	100	70	24	27	8	14	14	800	500	150	190	240	98
SB-65X40M55.5	1	5.5	65	40	80	360	272	132	160	50	190	232	140	889	50	240	100	70	24	27	8	14	14	800	500	150	220	270	128
SB-65X40H57.5	1	7.5	65	40	100	360	300	160	180	50	212	232	165	909	50	265	110	70	24	27	8	14	14	850	550	150	230	280	141
SB-65X40H511	1	11	65	40	100	360	300	160	180	50	212	232	165	1067	50	265	110	70	24	27	8	14	14	950	650	150	270	320	192
SB-65X40K515	1	15	65	40	100	360	320	180	225	62.5	250	219.5	190	1067	50	320	110	95	24	27	8	14	14	950	650	150	280	330	220
SB-65X40K518.5	1	18.5	65	40	100	360	320	180	225	62.5	250	219.5	190	1111	50	320	110	95	24	27	8	14	14	1000	700	150	280	330	238
SB-65X40K522	1	22	65	40	100	360	320	180	225	62.5	250	219.5	190	1130	50	320	110	95	24	27	8	14	14	1000	700	150	320	370	288
SB-65X50L55.5	1	5.5	65	50	100	360	272	132	160	50	190	232	140	909	50	240	100	70	24	27	8	14	14	850	550	150	220	270	127
SB-65X50L57.5	1	7.5	65	50	100	360	272	132	160	50	190	232	140	909	50	240	100	70	24	27	8	14	14	850	550	150	220	270	131
SB-65X50M511	1	11	65	50	100	360	300	160	180	50	212	232	165	1067	50	265	110	70	24	27	8	14	14	950	650	150	270	320	185
SB-65X50H515	1	15	65	50	100	360	300	160	200	50	212	232	165	1067	50	265	110	70	24	27	8	14	14	950	650	150	270	320	204
SB-65X50H518.5	1	18.5	65	50	100	360	300	160	200	50	212	232	165	1111	50	265	110	70	24	27	8	14	14	1000	700	150	270	320	222
SB-65X50K522	1	22	65	50	100	360	320	180	225	62.5	250	219.5	190	1130	50	320	110	95	24	27	8	14	14	1050	750	150	320	370	291
SB-65X50K530	1	30	65	50	100	360	345	180	225	62.5	250	219.5	190	1168	50	320	110	95	24	27	8	14	14	1100	800	150	310	370	313
SB-80X65L57.5	1	7.5	80	65	100	360	300	160	180	62.5	212	219.5	150	909	50	280	110	95	24	27	8	14	14	850	550	150	240	290	136
SB-80X65L511	1	11	80	65	100	360	300	160	180	62.5	212	219.5	150	1067	50	280	110	95	24	27	8	14	14	950	650	150	270	320	186
SB-80X65M515	1	15	80	65	100	360	300	160	200	62.5	212	219.5	150	1067	50	280	110	95	24	27	8	14	14	950	650	150	270	320	201
SB-80X65M518.5	1	18.5	80	65	100	360	300	160	200	62.5	212	219.5	150	1111	50	280	110	95	24	27	8	14	14	1000	700	150	270	320	209
SB-80X65H522	1	22	80	65	100	360	320	180	225	62.5	250	219.5	190	1130	50	320	110	95	24	27	8	14	14	1050	750	150	310	370	299
SB-80X65H530	1	30	80	65	100	360	345	180	225	62.5	250	219.5	190	1168	50	320	110	95	24	27	8	14	14	1050	750	150	310	370	342
SB-80X65K537	1	37	80	65	100	470	365	200	250	80	280	282	200	1341	80	360	110	120	32	35	10	17.5	14	1200	900	150	350	410	417
SB-80X65K545	1	45	80	65	100	470	365	200	250	80	280	282	200	1341	80	360	110	120	32	35	10	17.5	14	1200	900	150	350	410	432
SB-80X65K555	1	55	80	65	100	470	415	200	250	80	280	282	200	1379	80	360	110	120	32	35	10	17.5	14	1250	950	150	400	470	512
SB-100X80M522	1	22	100	80	125	360	320	180	225	62.5	250	219.5	190	1155	50	320	110	95	24	27	8	14	14	1050	750	150	310	370	282
SB-100X80M530	1	30	100	80	125	360	345	180	225	62.5	250	219.5	190	1193	50	320	110	95	24	27	8	14	14	1100	800	150	310	370	326
SB-100X80H537	1	37	100	80	125	470	370	180	250	62.5	280	294.5	215	1366	80	345	110	95	32	35	10	14	14	1250	950	150	360	420	407
SB-100X80H545	1	45	100	80	125	470	370	180	250	62.5	280	294.5	215	1366	80	345	110	95	32	35	10	14	14	1250	950	150	360	420	422
SB-100X80K555	1	55	100	80	125	470	415	200	280	80	315	282	240	1404	80	400	110	120	32	35	10	17.5	14	1250	950	150	400	470	522
SB-100X80K575	2	75	100	80	125	470	450	200	280	80	315	282	240	1453	80	400	110	120	32	35	10	17.5	14	1300	500	150	450	520	739
SB-125X100M530	1	30	125	100	125	470	339	200	250	145	280	282	200	1369	80	360	110	120	32	35	10	17.5	14	1250	850	200	430	490	550
SB-125X100H537	1	37	125	100	125	470	365	200	280	80	280	282	200	1366	80	360	110	120	32	35	10	17.5	14	1250	950	150	350	410	423
SB-125X100H545	1	45	125	100	125	470	365	200	280	80	280	282	200	1366	80	360	110	120	32	35	10	17.5	14	1250	950	150	350	410	437
SB-125X100H555	1	55	125	100	125	470	415	200	280	80	280	282	200	1404	80	360	110	120	32	35	10	17.5	14	1250	950	150	400	470	516
SB-125X100H575	2	75	125	100	125	470	450	200	280	80	280	282	200	1453	80	360	110	120	32	35	10	17.5	14	1300	500	150	450	520	733
SB-125X100K590	2	90	125	100	140	470	450	225	280	80	315	282	240	1506	80	400	110	120	32	35	10	17.5	14	1350	525	150	450	520	842
SB-125X100K5110	2	110	125	100	140	470	475	225	280	80	315	282	240	1564	80	400	110	120	32	35	10	17.5	14	1400	550	150	510	580	946

## SB4 Dimension Table

Unit: mm

Model	Fig	kw	d <sub>1</sub>	d <sub>2</sub>	A	B	D	D <sub>1</sub>	E	F	G	H	J	L	I	M	O	R	S	T	W	Z <sub>1</sub>	Z <sub>2</sub>	BL	BM	BN	BP	BX	kg
SB4-50X32L5.4	1	0.4	50	32	80	360	212	112	140	50	140	232	90	682	50	190	100	70	24	27	8	14	14	650	350	150	140	190	60
SB4-50X32M5.75	1	0.75	50	32	80	360	232	132	160	50	190	232	140	715	50	240	100	70	24	27	8	14	14	700	400	150	190	240	72
SB4-50X32H5.15	1	1.5	50	32	80	360	260	160	180	50	190	232	140	765	50	240	110	70	24	27	8	14	14	750	450	150	190	240	86
SB4-50X32K5.2	1	2.2	50	32	100	360	280	180	225	62.5	250	219.5	190	826	50	320	110	95	24	27	8	14	14	800	500	150	350	400	120
SB4-65X40L5.75	1	0.75	65	40	80	360	212	112	140	50	160	232	110	715	50	210	100	70	24	27	8	14	14	700	400	150	160	210	66
SB4-65X40M5.75	1	0.75	65	40	80	360	232	132	160	50	190	232	140	715	50	240	100	70	24	27	8	14	14	700	400	150	190	240	73
SB4-65X40H5.15	1	1.5	65	40	100	360	260	160	180	50	212	232	165	785	50	265	110	70	24	27	8	14	14	750	450	150	220	265	90
SB4-65X40K5.7	1	3.7	65	40	100	360	280	180	225	62.5	250	219.5	190	845	50	320	110	95	24	27	8	14	14	800	500	150	350	400	127
SB4-65X40J5.5	1	5.5	65	40	125	470	300	200	250	62.5	280	294.5	215	1044	80	345	110	95	32	35	10	14	14	1000	700	150	380	430	197
SB4-65X50L5.15	1	1.5	65	50	100	360	232	132	160	50	190	232	140	785	50	240	100	70	24	27	8	14	14	750	450	150	190	240	80
SB4-65X50M5.1	1	1.5	65	50	100	360	260	160	180	50	212	232	165	785	50	265	110	70	24	27	8	14	14	750	450	150	220	265	84
SB4-65X50H5.2	1	2.2	65	50	100	360	260	160	200	50	212	232	165	826	50	265	110	70	24	27	8	14	14	800	500	150	220	265	104
SB4-65X50K5.5	1	5.5	65	50	100	360	280	180	225	62.5	250	219.5	190	909	50	320	110	95	24	27	8	14	14	850	550	150	350	400	159
SB4-65X50J5.75	1	7.5	65	50	125	470	333	225	280	62.5	280	294.5	215	1082	80	345	110	95	32	35	10	14	14	1000	700	150	380	430	216
SB4-80X65L5.15	1	1.5	80	65	100	360	260	160	180	62.5	212	219.5	150	785	50	280	110	95	24	27	8	14	14	750	450	150	310	360	87
SB4-80X65M5.2	1	2.2	80	65	100	360	260	160	200	62.5	212	219.5	150	826	50	280	110	95	24	27	8	14	14	800	500	150	310	360	103
SB4-80X65H5.7	1	3.7	80	65	100	360	280	180	225	62.5	250	219.5	190	845	50	320	110	95	24	27	8	14	14	800	500	150	350	400	143
SB4-80X65K5.75	1	7.5	80	65	100	470	300	200	250	80	280	282	200	1057	80	360	110	120	32	35	10	17.5	14	1000	700	150	380	430	195
SB4-80X65J5.11	1	11	80	65	125	470	325	225	280	80	315	282	240	1202	80	400	110	120	32	35	10	17.5	14	1100	800	150	410	460	258
SB4-100X80M5.3	1	3.7	100	80	125	360	280	180	225	62.5	250	219.5	190	870	50	320	110	95	24	27	8	14	14	850	550	150	350	400	127
SB4-100X80H5.5	1	5.5	100	80	125	470	300	180	250	62.5	280	294.5	215	1044	80	345	110	95	32	35	10	14	14	1000	700	150	410	460	170
SB4-100X80K5.11	1	11	100	80	125	470	300	200	280	80	315	282	240	1202	80	400	110	120	32	35	10	17.5	14	1100	800	150	410	460	251
SB4-100X80J5.15	1	15	100	80	125	470	350	250	315	80	315	282	240	1246	80	400	110	120	32	35	10	17.5	14	1150	850	150	410	460	303
SB4-100X80J5.18.5	1	18.5	100	80	125	470	350	250	315	80	315	282	240	1265	80	400	110	120	32	35	10	17.5	14	1200	900	150	410	460	340
SB4-100X80G5.22	1	22	100	80	125	470	380	280	355	80	340	308	270	1327	110	440	110	120	42	45	12	23	14	1200	900	150	440	490	397
SB4-100X80G5.30	1	30	100	80	125	532	405	280	355	80	340	308	270	1365	110	440	110	120	42	45	12	23	14	1250	950	150	450	515	449
SB4-125X100M5.4	1	4	125	100	125	470	399	200	250	145	280	282	200	989.5	80	360	110	120	32	35	10	17.5	14	950	650	150	385	445	180
SB4-125X100H5.75	1	7.5	125	100	125	470	300	200	280	80	280	282	200	1082	80	360	110	120	32	35	10	17.5	14	1000	700	150	380	430	200
SB4-125X100K5.11	1	11	125	100	140	470	300	200	280	80	280	282	200	1202	80	360	110	120	32	35	10	17.5	14	1100	800	150	380	430	245
SB4-125X100J5.15	1	15	125	100	140	470	325	225	315	80	315	282	240	1261	80	400	110	120	32	35	10	17.5	14	1200	900	150	410	460	300
SB4-125X100J5.18.5	1	18.5	125	100	140	470	350	250	315	80	315	282	240	1280	80	400	110	120	32	35	10	17.5	14	1200	900	150	410	460	354
SB4-125X100G5.22	1	22	125	100	140	470	350	250	315	80	315	282	240	1280	80	400	110	120	32	35	10	17.5	14	1200	900	150	410	460	368
SB4-125X100G5.30	2	30	125	100	140	530	405	280	355	100	400	295	300	1378	110	500	110	150	42	45	12	23	14	1300	500	150	510	575	466
SB4-125X100G5.37	2	37	125	100	140	530	405	280	355	100	400	295	300	1471	110	500	110	150	42	45	12	23	14	1350	525	150	510	575	536
SB4-125X100G5.45	2	45	125	100	140	530	405	280	355	100	400	295	300	1471	110	500	110	150	42	45	12	23	14	1350	525	150	510	575	569
SB4-150X125H5.11	1	11	150	125	140	470	415	250	315	80	315	282	240	1217	80	400	110	120	32	35	10	17.5	14	1100	800	150	500	550	274
SB4-150X125K5.18.5	1	18.5	150	125	140	470	350	250	355	80	315	282	240	1280	80	400	110	120	32	35	10	17.5	14	1200	900	150	410	460	335
SB4-150X125K5.22	1	22	150	125	140	470	350	250	355	80	315	282	240	1280	80	400	110	120	32	35	10	17.5	14	1200	900	150	410	460	348
SB4-150X125J5.30	1	30	150	125	140	530	405	280	355	100	400	295	300	1378	110	500	110	150	42	45	12	23	14	1250	950	150	510	575	453
SB4-150X125G5.45	2	45	150	125	140	530	440	315	400	100	400	295	300	1471	110	500	110	150	42	45	12	23	14	1350	525	150	510	575	577
SB4-150X125G5.55	2	55	150	125	140	530	465	315	400	100	400	295	300	1509	110	500	110	150	42	45	12	23	14	1350	525	150	530	600	644
SB4-150X125G5.75	2	75	150	125	140	530	465	315	400	100	400	295	300	1558	110	500	110	150	42	45	12	23	14	1400	550	150	530	600	865
SB4-200X150H5.18.5	1	18.5	200	150	160	495	380	280	400	100	450	292	350	1325	80	550	110	150	32	35	10	23	14	1250	950	150	550	600	365
SB4-200X150K5.22	1	22	200	150	160	530	350	250	355	100	350	295	250	1360	110	450	110	150	42	45	12	23	14	1250	950	150	450	500	402
SB4-200X150K5.30	2	30	200	150	160	530	375	250	355	100	350	295	250	1398	110	450	110	150	42	45	12	23	14	1300	500	150	460	525	454
SB4-200X150J5.37	2	37	200	150	160	530	405	280	400	100	450	295	350	1491	110	550	110	150	42	45	12	23	14	1350	525	150	560	625	533
SB4-200X150J5.45	2	45	200	150	160	530	405	280	400	100	450	295	350	1491	110	550	110	150	42	45	12	23	14	1350	525	150	560	625	567
SB4-200X150J5.55	2	55	200	150	160	530	430	280	400	100	450	295	350	1529	110	550	110	150	42	45	12	23	14	1400	550	150	580	650	637
SB4-200X150G5.75	2	75	200																										